

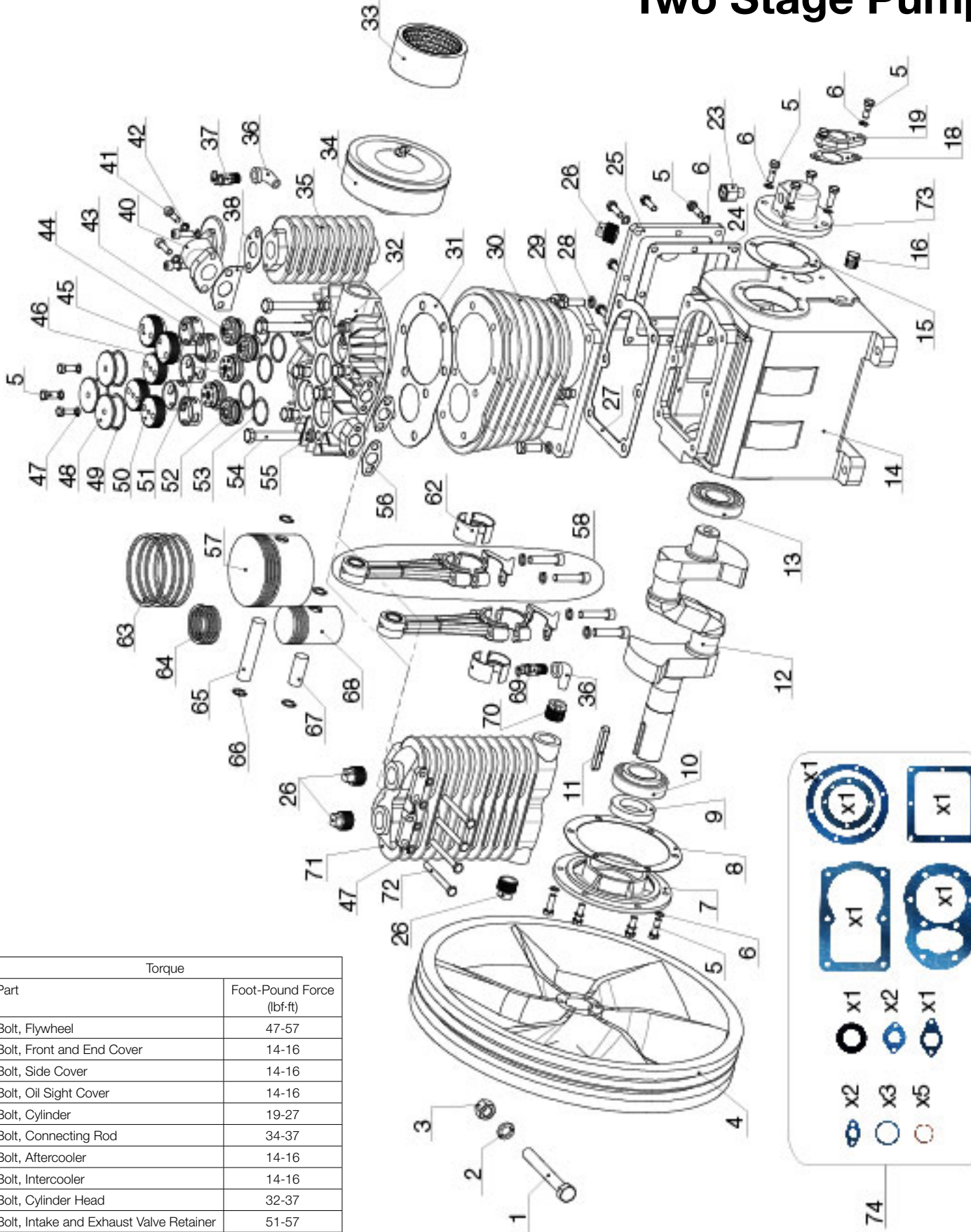
**RK**  
COMPRESSORS

**RK-ICM-5C  
Two Stage Pump**

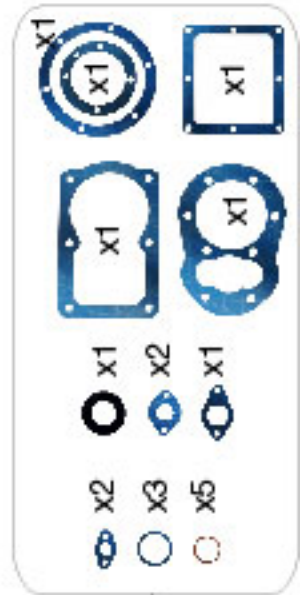


Équipements ESF inc.  
6500, Armand-Viau Street  
Quebec (Qc) Canada G2C 2J6  
T (418) 845-2318  
F (418) 845-5252  
[www.esfdirect.com](http://www.esfdirect.com)

# RK-ICM-5C Two Stage Pump



Torque	
Part	Foot-Pound Force (lbf-ft)
Bolt, Flywheel	47-57
Bolt, Front and End Cover	14-16
Bolt, Side Cover	14-16
Bolt, Oil Sight Cover	14-16
Bolt, Cylinder	19-27
Bolt, Connecting Rod	34-37
Bolt, Aftercooler	14-16
Bolt, Intercooler	14-16
Bolt, Cylinder Head	32-37
Bolt, Intake and Exhaust Valve Retainer	51-57
Bolt, Valve Cover	14-16
Bolt, Valve Seat	9-12



74

# RK-ICM-5C Two Stage Pump

## Part List

Item	Part Number	Description	Qty
1	RK-059-0163	BOLT - FLYWHEEL (ICM-5C)	1
2	RK-060-0069	WASHER - FLYWHEEL	1
3	RK-058-0086	NUT - FLYWHEEL	1
4	RK-044-0037	FLYWHEEL	1
5	RK-059-0166	BOLT - FRONT COVER	23
6	RK-060-0061	COPPER WASHER	20
7	RK-045-0044	FRONT BEARING CARRIER	1
8	RK-046-0168	GASKET- FRONT CAP	1
9	RK-046-0179	SEAL- CRANKSHAFT	1
10	RK-051-0053	FRONT BEARING SET	1
11	RK-146-0015	KEY- FLYWHEEL	1
12	RK-053-0051	CRANKSHAFT ICM-5C	1
13	RK-051-0054	REAR BEARING CONE	1
14	RK-049-0027	CRANKCASE ICM-5C	1
15	RK-046-0227	GASKET- REAR COVER	1
16	RK-062-0004	OIL DRAIN PLUG	1
18	RK-046-0178	GASKET - SIGHT GLASS	1
19	RK-032-0031	FLANGED OIL SIGHT GLASS	1
23	RK-056-0018	CRANKCASE BREATHER	1
24	RK-046-0169	GASKET-SIDE COVER ICM-5C	1
25	RK-077-0069	SIDE COVER ICM-5C	1
26	RK-062-0006	PLUG - SIDE COVER	4
27	RK-046-0167	GASKET-CYLINDER TO CRANKCASE	1
28	RK-060-0063	COPPER WASHER - CYLINDER BOLT	6
29	RK-059-0159	BOLT - CYLINDER	6
30	RK-050-0030	CYLINDER	1
31	RK-046-0166	GASKET- CYLINDER HEAD	1
32	RK-042-0055	CYLINDER HEAD	1
33	RK-019-0023	AIR FILTER ELEMENT	1
34	RK-019-0097	AIR FILTER ASSY.	1
35	RK-082-0014	AFTERCOOLER ICM-5C	1
36	RK-064-0022	ELBOW STREET	1
37	RK-136-0007	SAFETY VALVE - 200 PSI	1
38	RK-046-0172	GASKET-AFTERCOOLER	2
40	RK-083-0009	ELBOW-AFTERCOOLER ICM-5C	1
41	RK-059-0158	BOLT - AFTERCOOLER ELBOW	4
42	RK-060-0070	WASHER - AFTERCOOLER ELBOW	4
43	RK-043-0098	INTAKE VALVE ASSEMBLY LOW PRESSURE	2
44	RK-043-0094	INTAKE VALVE SPACER	2
45	RK-058-0082	VALVE RETAINER-INTAKE	2
46	RK-043-0100	EXHAUST VALVE ASSEMBLY HIGH AND LOW PRESSURE	2
47	RK-060-0061A	COPPER WASHER B8	7
48	RK-077-0073	VALVE COVER	3
49	RK-046-0174	GASKET-VALVE COVER	3
50	RK-058-0083	VALVE RETAINER-DISCHARGE	3
51	RK-043-0095	EXHAUST VALVE SPACER	3
52	RK-043-0099	INTAKE VALVE ASSEMBLY HIGH PRESSURE	1
53	RK-060-0062	COPPER GASKET- VALVE SEAT	5
54	RK-059-0167	BOLT - CYLINDER HEAD	8
55	RK-059-0167A	WASHER - CYLINDER HEAD (ICM-5C)	8
56	RK-046-0173	GASKET-INTERCOOLER	2

Item	Part Number	Description	Qty
57	RK-048-0054	PISTON-LP	1
58	RK-047-0054	CONNECTING ROD, ALUMINUM	2
62	RK-051-0055	BEARING INSERT SET	2
63	RK-054-0179	RING SET LOW PRESSURE	1
64	RK-054-0178	RING SET HIGH PRESSURE	1
65	RK-052-0027	WRISTPIN-LP	1
66	RK-054-0119	INTERNAL SNAPRING	4
67	RK-052-0028	WRISTPIN-HP	1
68	RK-048-0081	PISTON-HP	1
69	RK-136-0046	VALVE SAFETY - 75 PSI	1
70	RK-063-0006	BUSHING REDUCING	1
71	RK-082-0012	INTERCOOLER	1
72	RK-059-0157	BOLT - INTERCOOLER	4
73	RK-077-0071A	CENTRIFUGAL UNLOADER PLATE ICM-5C	1
74	RK-046-0183	GASKET SET ICM-5C Includes : Item 8 1 x RK-046-0168 GASKET- FRONT CAP Item 9 1 x RK-046-0179 SEAL- CRANKSHAFT Item 15 1 x RK-046-0227 GASKET- REAR COVER Item 18 1 x RK-046-0178 GASKET - SIGHT GLASS Item 24 1 x RK-046-0169 GASKET-SIDE COVER ICM-5C Item 27 1 x RK-046-0167 GASKET-CYLINDER TO CRANKCASE Item 31 1 x RK-046-0166 GASKET- CYLINDER HEAD Item 38 2 x RK-046-0172 GASKET-AFTERCOOLER Item 49 3 x RK-046-0174 GASKET-VALVE COVER Item 53 5 x RK-060-0062 COPPER GASKET- VALVE SEAT Item 56 2 x RK-046-0173 GASKET-INTERCOOLER	1

## WARNING

This pump has a special "break-in" oil, which must be changed after the first 10 hours of operation. Replacement oil should be SAE 30 non detergent.